

DRENOBOX



Automatic pumping station with I-DRENO pumps



Description

Drainlift for fully assembled dirty water. Suitable for pumping untreated sewage that cannot be conveyed to the sewer system by gravity flow.

Surface and underground installation.

The system includes the I-DRENO pump with float switch and check valve on delivery.

Rapid connection to the pump through the pipe.

Polyethylene tank 170 l

Power supply 220 V – 50 Hz

Applications

Drains coming from:

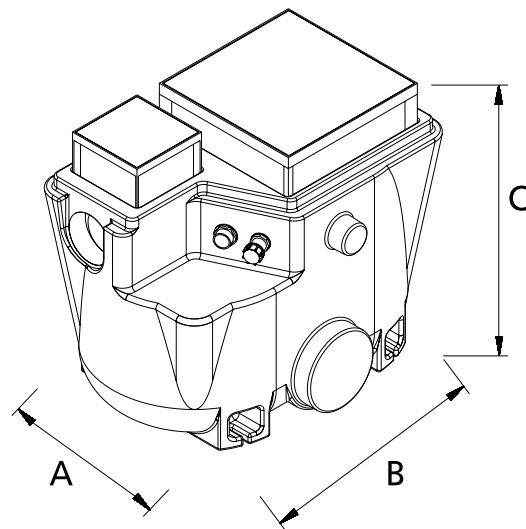
- Showers, toilets, saunas
- Toilets in basements
- Drainage of cellars, buildings, etc.

Pump characteristic

- Volute, impeller, upper cover and body pump in grey iron.
- Motor body in Stainless steel AISI 304
- Motor shaft in Stainless steel AISI 410
- Double mechanical seal: Carbon/Ceramic-SIC/SIC
- Class F insulated motors

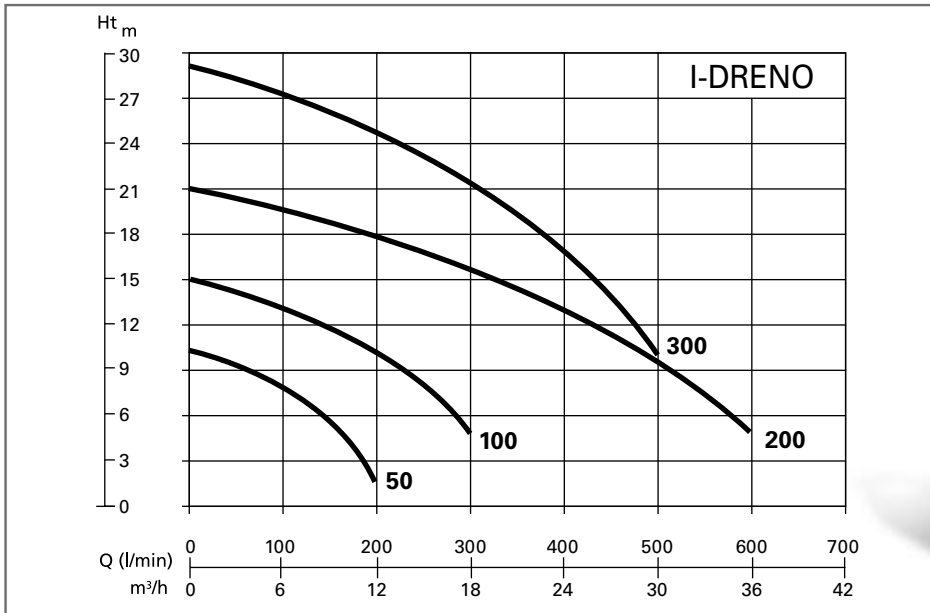
Free passage solid bodies:

- 50 Ø 8 mm
- 100 Ø 10 mm
- 200 Ø 11 mm
- 300 Ø 11 mm

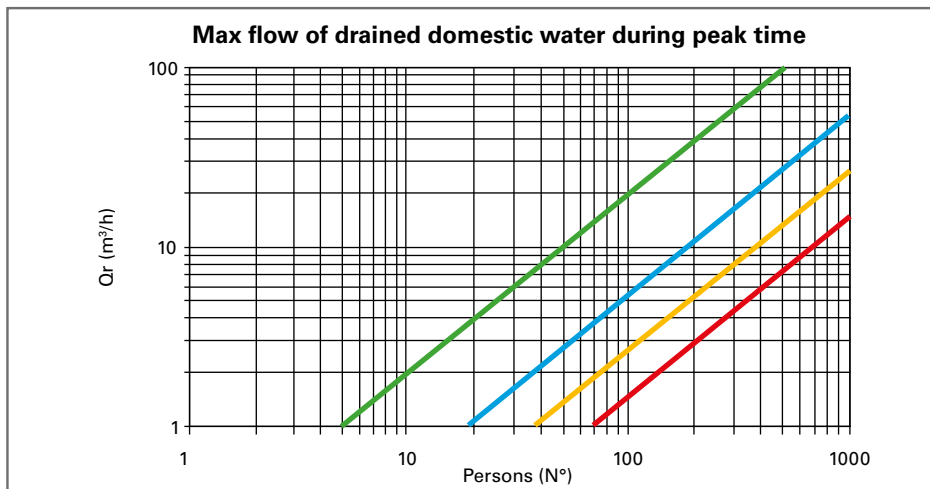


Code	P ₂ Nom.		1 ~ 50Hz Amp.	3 ~ 50Hz Amp.			Q (lt/m) Flow						Dimensions mm			Exhaust Inlet	DNM	Wgt. kg
	kW	Hp	230 V	230 V	400 V	100	150	200	300	400	500	600	A	B	C			
						Total Hm in CA												
DRENOBOX50	0,37	0,50	3,5	-	-	8,3	5,5	2,2	-	-	-	-	550	800	940	100	2"	28
DRENOBOX100	0,75	1	6	-	-	12,5	11	9,4	5,5	-	-	-	550	800	940	100	2"	33
DRENOBOX200	1,5	2	10	-	-	19,9	18	17	14,8	12,2	9,2	6	550	800	940	100	2"	57

Curves and performance $\eta = 2900$ 1/min



I-DRENO pump into the station



■ Residential ■ Hospitals ■ Industries ■ Offices



Flowat switch

