

Submersible pumps VORTEX



Description

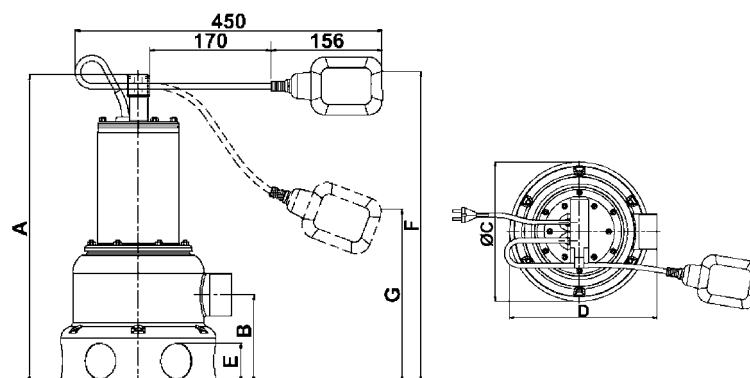
Single-phase pump, submersible for drainage with impeller VORTEX.
Protection rating IP68.

Applications

- Civil and industrial sewage with suspended solids
- Drainage waste or sump drainage water with or without solids (max 400 mm)

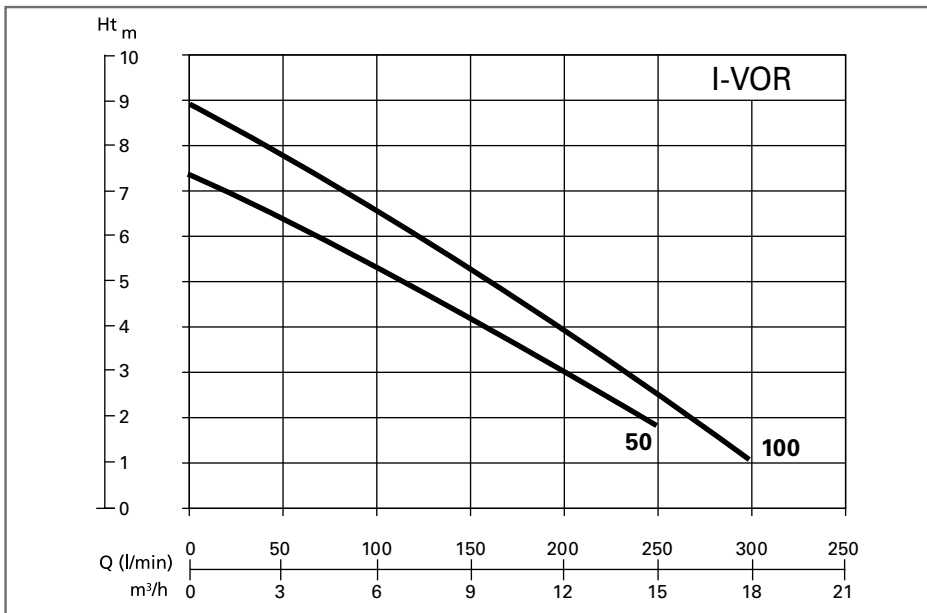
Materials

- Volute, impeller and upper cover in Stainless steel AISI 304
- Motor body and pump body in Stainless Steel AISI 304
- Outlet in Stainless Steel AISI 304
- Motor shaft in Stainless steel AISI 410
- Mechanical seal: SIC/SIC
- Class F insulated motors



Code	P ₂ Nom.		1 ~ 50Hz Amp. 230 V	Q (lt/m) Flow						Dimensions mm							DNM	Wgt. kg
	kW	Hp		50	100	150	200	250	300	A	B	C	D	E	F	G		
			Total Hm in CA															
I-VOR50AUT	0,37	0,50	3,5	6,4	5,4	4,3	3,1	1,7	-	430	123	235	241	55	550	290	50	9,5
I-VOR100AUT	0,75	1	6	7,6	6,5	5,3	3,9	2,5	1	430	123	235	241	55	550	290	50	9,5

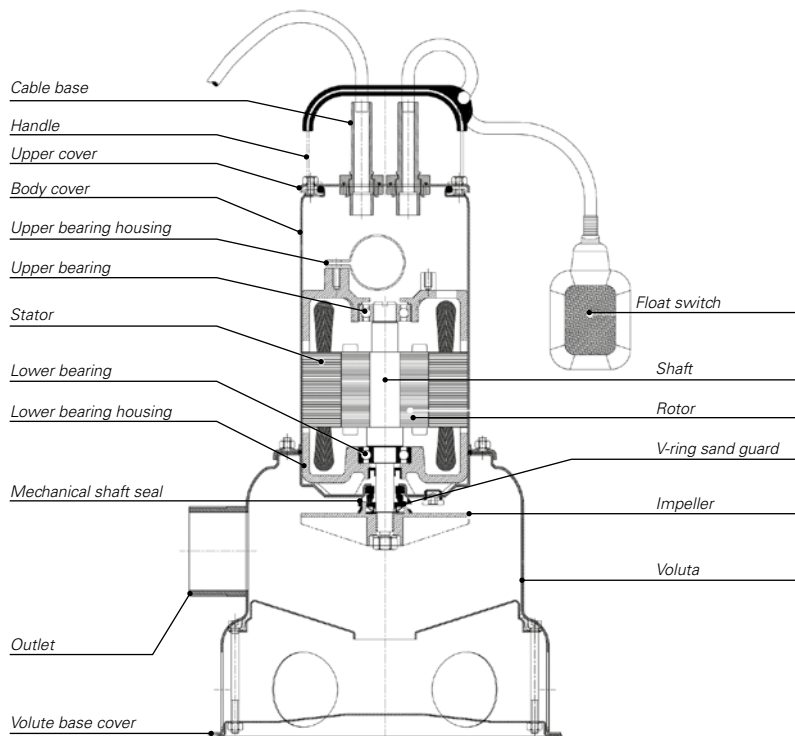
Curves and performance $\eta = 2900$ 1/min



Vortex Impeller



Suction



Float switch