

X1MOI B



Multistage pump with electronic system and inverter



Description

Up/Down technology for submersed, surface or underground installation.

For submersed and underground installation, the inverter control must be disconnected to place it in a protected area from moisture.

The automatic system with inverter is for water supply and dry-running protection

Protection rating IP 68

The inverter installed on the pipe regulates constantly the pump activity; this unit utilizes only the necessary power supply in order to satisfy the required performances

The electronic start doesn't cause water-hammer both switching on and stopping the pump

Easy regulation

Alarm signal display with problem description

Control and safety system against over-current

Protection rating IP 68

Motor choice flexibility

Applications

- Domestic boosting
- Industrial installation boosting
- Fountains and water plays

Pumped liquid:

Clean water with no abrasive or suspended solids

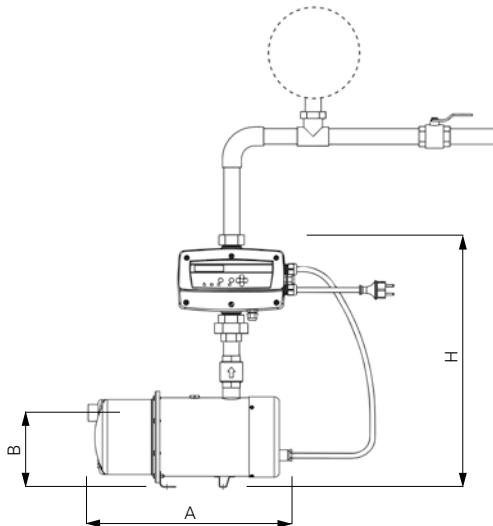
Liquid temperature +2°C ÷ +40°C

Air temperature max +45°C

Calibrating pressure: to be regulated

Materials

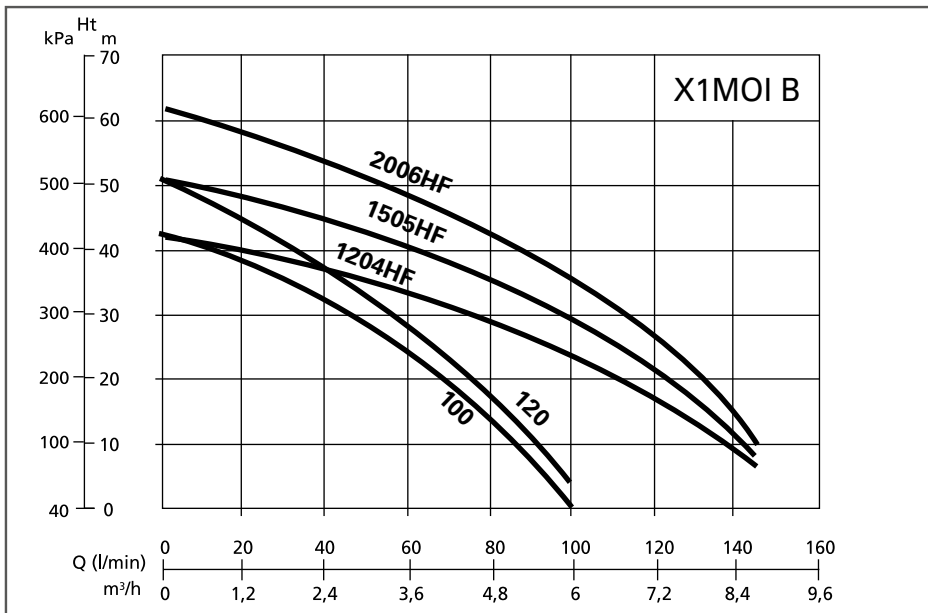
- Pump body, impellers and motor body: Stainless steel AISI 304 (standard versions)
- Technopolymer impeller: High flow pumps
- Technopolymer / Brass (2 HP model) flanges
- Shaft: Stainless steel AISI 420
- No return valve: brass
- Mechanical seal: Graphite ceramics
- Oil chamber on the mechanical seal
- A2 Stainless steel bolts
- NBR70 O-ring
- H07RN-F Electric cable 5m length with Schuko plug
- Class F insulated motors



Code	P ₂ Nom.		Stages	Q (lt/m) Flow								Dimensions mm					Wgt. kg
	kW	Hp		0	30	50	70	90	100	125	145	A	B	H	DNM	DNA	
				Total Hm in CA													
X1MOI100B	0,75	1	4	42	35	28	18	10	-	-	-	477	200	550	1"¼	1"	18
X1MOI120B	0,90	1,2	5	52	43	40	35	30	25	20	11	477	200	550	1"¼	1"	19
X1MOI1204BHF	0,90	1,2	4	43	38	34	30	27	24	16	6	560	200	550	1"¼	1"¼	20
X1MOI1505BHF	1,10	1,5	5	51	46	43	38	35	30	21	9	715	200	550	1"¼	1"¼	22
X1MOI2006HF	1,50	2,0	6	62	55	51	45	39	34	24	10	715	200	550	1"¼	1"¼	26

HIGH FLOW

Curves and performance $\eta = 2900$ 1/min



Impeller Stainless steel AISI 304



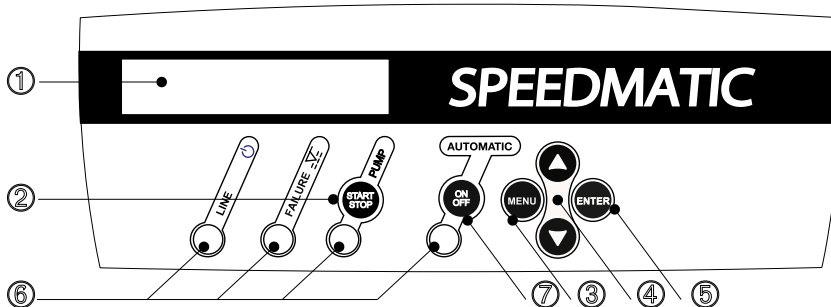
Technolymer impeller



Brass motor support (2HP pump)



Technopolymer motor support (up to 1,5 HP pumps)



- 1 - Multifunctional LCD screen. It shows the pressure in working mode.
- 2 - MANUAL START-STOP pushbutton
- 3 - Pushbutton for ENTER or EXIT menu.
- 4 - With these pushbuttons we can change programming values showed in the LCD screen (1)
- 5 - ENTER for saving programmed values. Every pulsation is succeeded by a new field of the CONFIGURATION MENU. Whenever we want to quit the configuration sequence press MENU (3)
- 6 - LED lights index:
 - LINE green: Electric supply. ON when it is connected
 - FAILURE red: Bright or intermittent depending on type of failure.
 - PUMP yellow: When it is bright means pump working. It is lit with the pump stopped or when the device is not connected.
 - AUTOMATIC green: It is bright in AUTOMATIC mode. When it is intermittent in MASTER&SLAVE mode it means that this device will be auxiliary in the following cycle.
- 7 - ON/OFF: It allows to change from AUTOMATIC to MANUAL mode or viceversa.

Apartments		
Code	n°	Max flow l/min
X1MOI100B	2 ÷ 3	80
X1MOI120B	2 ÷ 4	80
X1MOI1204BHF	3 ÷ 4	130
X1MOI1505BHF	3 ÷ 4	130
X1MOI2006HF	3 ÷ 5	130