

INTELLY J120 V

**Self-priming jet pump
with integrated inverter control**



Description

INTELLY uses the most advanced Steelpumps technologies, to allow for pressure constant according to the request and consequently an optimization, also ensuring a reduction of noise. The presence of a communication display, the choice of the pump operating point, it turns out very simple, intuitive and feasible without special programming. Protection against dry-running antiblocking system every 72 hours of pump inactivity. The pump ensures comfort of pressure constant (adjustable set point) in the system and a great energy savings.

Applications

- Domestic boosting
- Irrigation
- Use of rainwater
- Depth max 5 m

Pumped liquid:

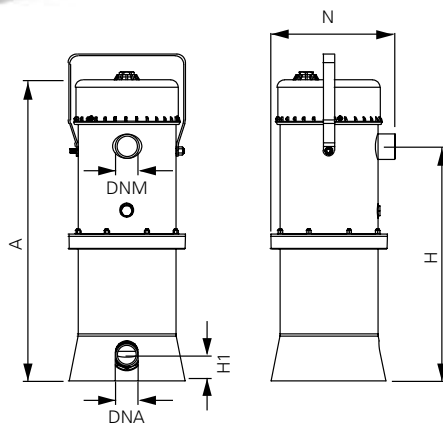
Clean water without any abrasive or suspended solids

Liquid temperature +2°C ÷ +40°C

Air temperature Max +45°C

Materials

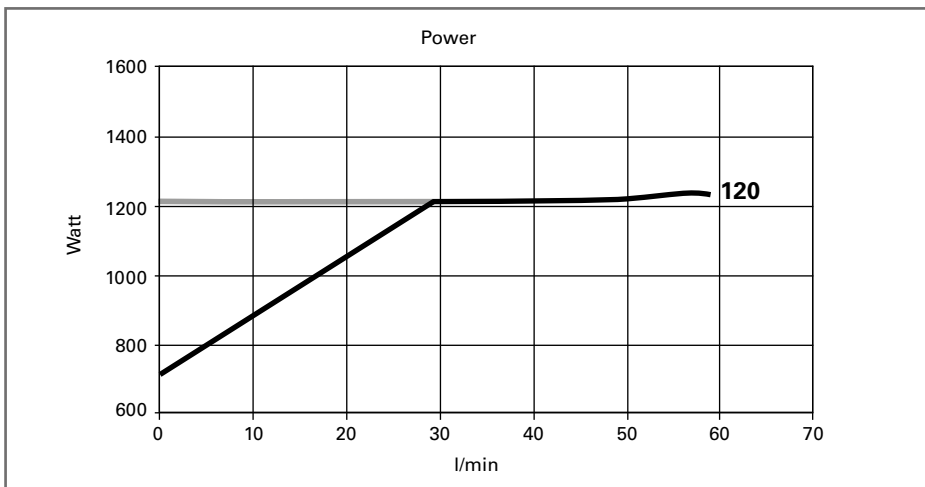
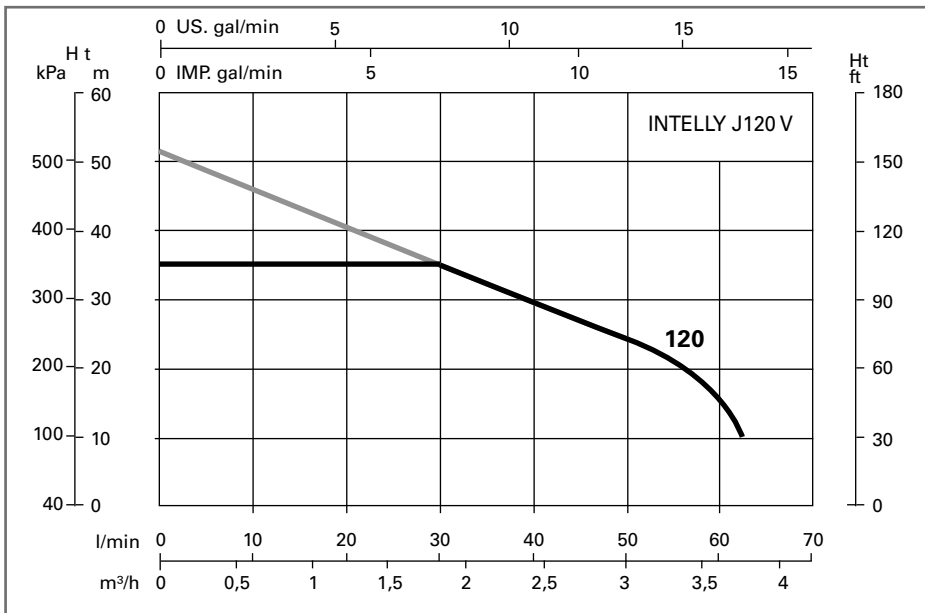
- Pump body and motor in AISI 304
- Brass motor flange
- Shaft in AISI 420
- Diffuser, impeller and venturi jet in Noryl
- Dumping feet: rubber
- Mechanical seal: ceramics / graphite
- A2 Bolts
- NBR70 O-ring
- ADB LIYY-HZO Electric cable 10m length
- Inverter electronic board according to Rohs standards
- Class F insulated motor
- Control box with display
- Plastic flow sensor



Code	P ₂ Nom.		1 ~ 50Hz Amp. 230 V	Q (l/m) FLOW							Dimensions mm						Weight Kg	
	kW	Hp		0	10	20	30	40	50	60	A	N	H	H1	N1	DNM		DNA
	Total Hm in CA																	
INTELLY J120 V	0,90	1,2	7,2	51	45	40	34	30	24	8	477	200	226	163	136	1"¼	1"	17



Curves and performance $\eta = 2900$ 1/min



*INTELLY Control Panel
With fast connector*



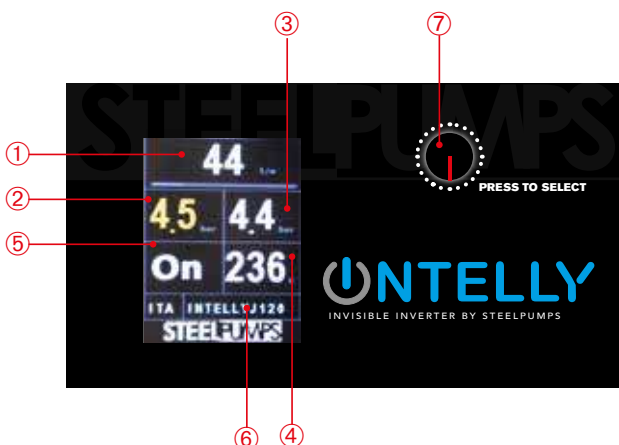
Technopolymer impeller



*Check valve assembled with
flow disc control in AISI 316*



Brass motor support



- 1 - Flow detected
- 2 - Pressure detected
- 3 - Set pressure (Fail Safe)
- 4 - Supply voltage
- 5 - Pump status
- 6 - Pump model
- 7 - Programming button



Electronic board