

INTELLY V 120H

Vertical multistage pump
with integrated inverter control



Description

INTELLY uses the most advanced Steelpumps technologies, to allow for pressure constant according to the request and consequently an optimization, also ensuring a reduction of noise. The presence of a communication display, the choice of the pump operating point, it turns out very simple, intuitive and feasible without special programming. Protection against dry-running antiblocking system every 72 hours of pump inactivity. The pump ensures comfort of pressure constant (adjustable set point) in the system and a great energy savings.

Applications

- Domestic boosting
- Irrigation
- Use of rainwater
- Depth max 5 m

Pumped liquid:

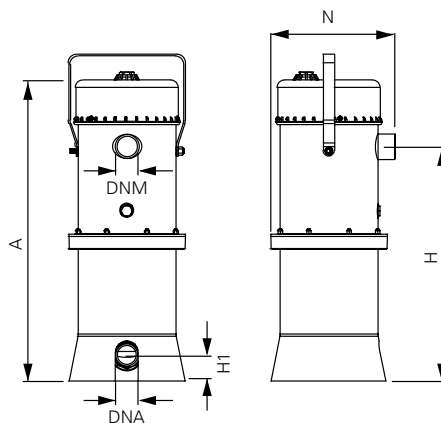
Clean water without any abrasive or suspended solids

Liquid temperature +2°C ÷ +40°C

Air temperature Max +45°C

Materials

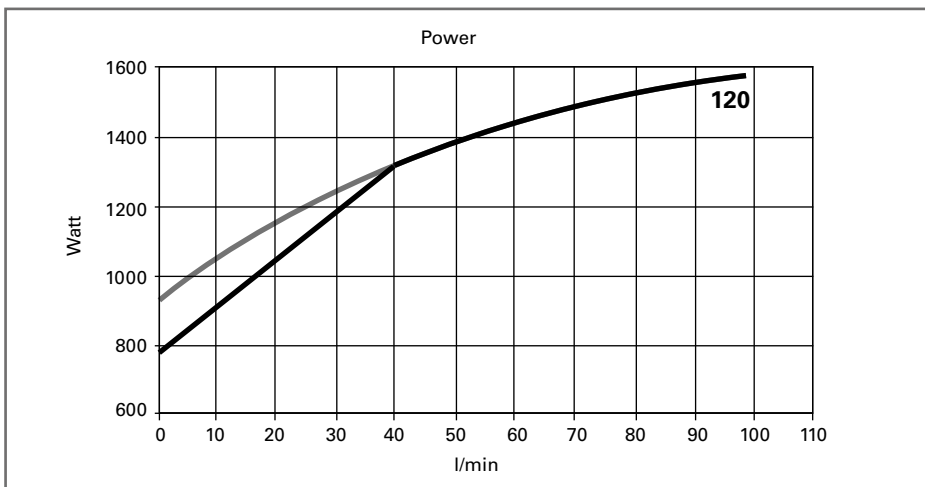
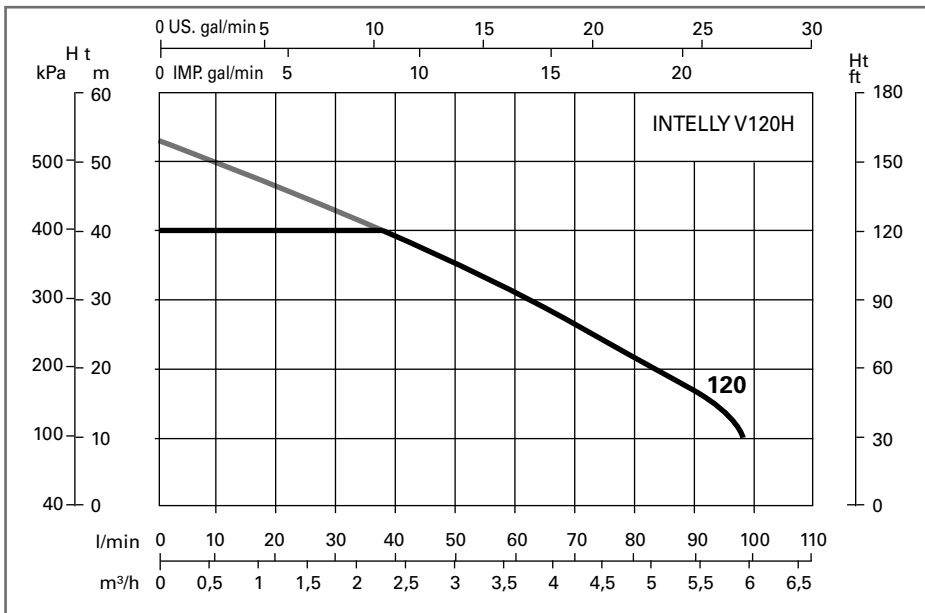
- Pump body and motor in AISI 304
- Brass motor flange
- Shaft in AISI 420
- Diffuser Technopolymer Noryl
- Impeller Stainless Steel AISI304
- Dumping feet: rubber
- Mechanical seal: ceramics / graphite
- A2 Bolts
- NBR70 O-ring
- ADB LIYY-HZO Electric cable 10m length
- Inverter electronic board according to Rohs standards
- Class F insulated motor
- Control box with display
- Plastic flow sensor



Code	P ₂ Nom.		1 ~ 50Hz Amp. 230 V	Stages	Q (l/m) FLOW								Dimensions mm						Wei- ght Kg
	kW	Hp			0	30	40	50	60	70	80	90	A	N	H	H1	DNM	DNA	
	Total Hm in CA																		
INTELLY V 120H	0,9	1,2	8,8	5	52	43	43	40	35	30	25	20	545	218	420	46	1"¼	1"	18



Curves and performance $n = 2900 \text{ 1/min}$



INTELLY Control Panel
With fast connector



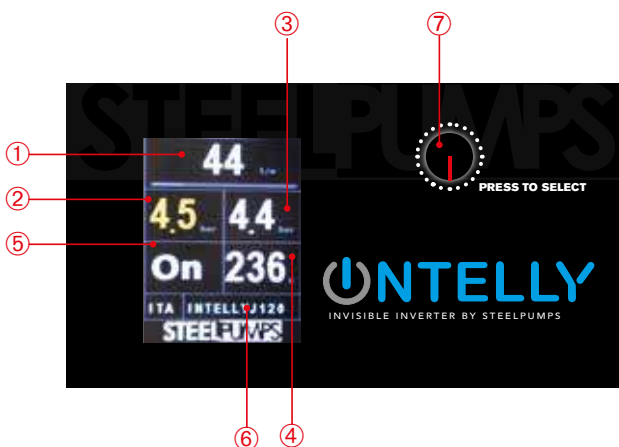
Impeller Stainless Steel AISI 304



Check valve assembled with
flow disc control in AISI 316



Brass motor support



- 1 - Flow detected
- 2 - Pressure detected
- 3 - Set pressure (Fail Safe)
- 4 - Supply voltage
- 5 - Pump status
- 6 - Pump model
- 7 - Programming button



Electronic board