

# XAJV P



## Self-priming Jet centrifugal pump with electronic system

### Description

Up/Down technology for submersed, surface or underground installation. Automatic system of water supply; dry-running protection. Antilocking system every 72 hours of pump inactivity. Protection rating IP 68.



Technopolymer check valve with flow control disc and spring in AISI 316 assembled.



### Materials

- Motor body: Stainless steel AISI 304
- Technopolymer flange and pump body
- Shaft: Stainless steel AISI 420
- Diffuser, impeller and venturi Jet: Noryl
- Rear cap: Polypropylene
- Basis: Stainless steel AISI 304
- Dumping feet: Rubber
- Mechanical seal: Graphite / ceramic
- Oil chamber on the mechanical seal
- A2 Stainless steel bolts
- NBR70 O-ring
- H07RN8-F Electric cable 10m length with Schuko plug
- Tropicalized circuit board in compliance with the RoHS directive
- Class F insulated motors

### Applications

- Domestic boosting
- Medium sprinkling and surface irrigations
- Tank drainage and transfers
- Industrial washing and cooling
- Systems for potable water treatment

Pumped liquid:

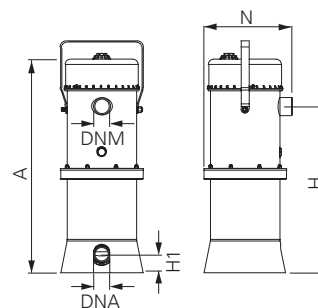
Clean water with no abrasive or suspended solids

Liquid temperature +2°C ÷ +40°C

Air temperature max +45°C

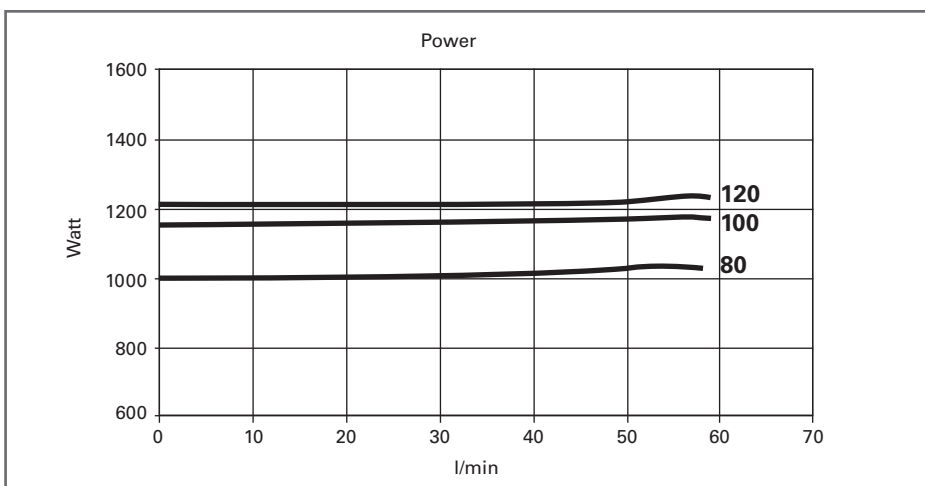
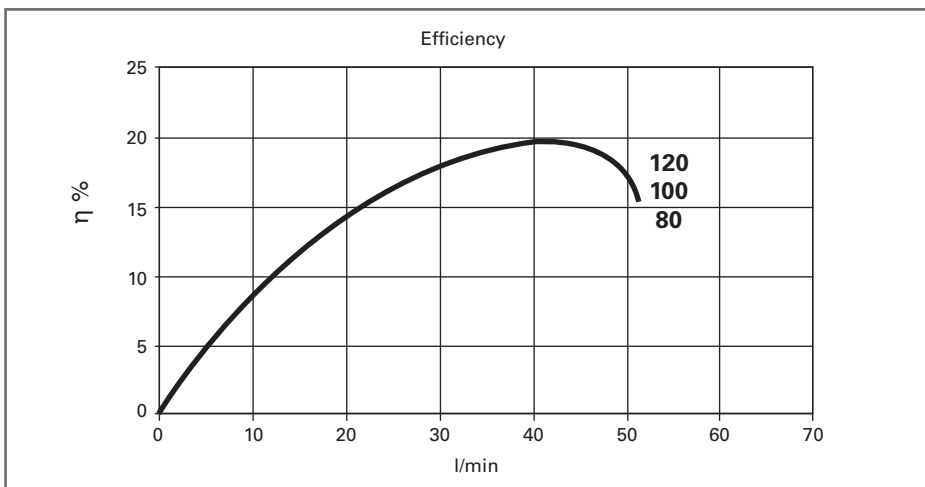
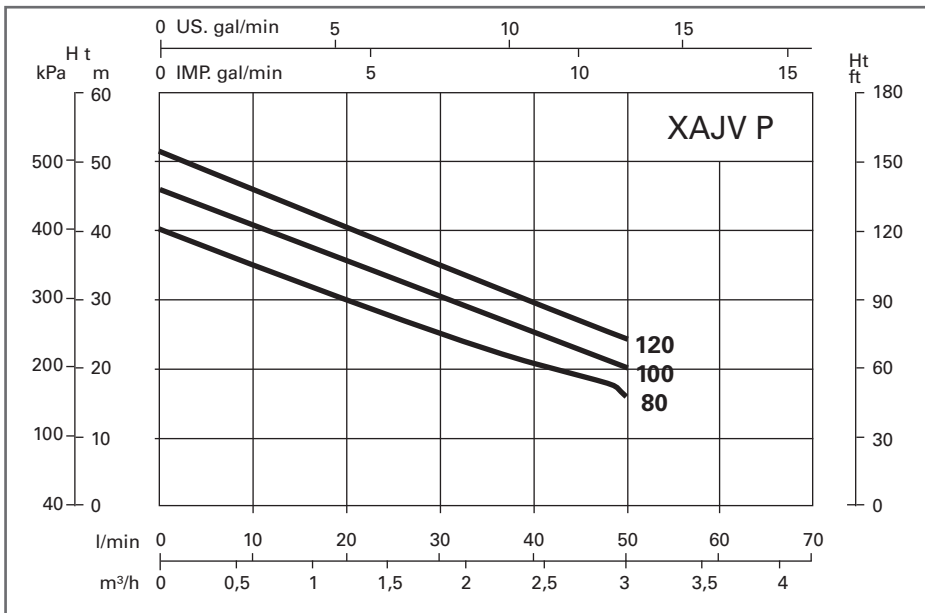
Depth max 5 m

Calibrating pressure rate switch 2.2 bar



	Code	P <sub>2</sub> Nom.		3 ~ 50Hz Amp.		1 ~ 50Hz Amp.	Cap μF	Q (lt/m) Flow							Dimensions mm						Wgt. kg
		kW	Hp	230 V	400 V	230 V		0	10	20	30	40	50	60	A	N	H	H1	DNM	DNA	
		Total Hm in CA																			
<b>AUTO MONO</b>	XAJV80P	0,60	0,8	-	-	4,5	16	40	33	30	24	20	15	-	505	218	420	46	1"¼	1"	12
	XAJV100P	0,75	1	-	-	5,3	16	47	40	35	30	25	20	5	535	218	420	46	1"¼	1"	12,5
	XAJV120P	0,90	1,2	-	-	5,9	18	51	45	40	34	30	24	8	535	218	420	46	1"¼	1"	13,5
<b>MAN MONO</b>	XJV80P	0,60	0,8	-	-	4,5	16	40	33	30	24	20	15	-	505	218	420	46	1"¼	1"	12
	XJV100P	0,75	1	-	-	5,3	16	47	40	35	30	25	20	5	535	218	420	46	1"¼	1"	12,5
	XJV120P	0,90	1,2	-	-	5,9	18	51	45	40	34	30	24	8	535	218	420	46	1"¼	1"	13,5
<b>MAN THR</b>	XJV80PT	0,60	0,8	2,2	1,5	-	-	40	33	30	24	20	15	-	505	218	420	46	1"¼	1"	12
	XJV100PT	0,75	1	3	1,9	-	-	47	40	35	30	25	20	5	535	218	420	46	1"¼	1"	12,5
	XJV120PT	0,90	1,2	3,6	2,3	-	-	51	45	40	34	30	24	8	535	218	420	46	1"¼	1"	13,5
<b>AUTO MONO</b>	XAJV80PCE	0,60	0,8	4,5	16	40	33	30	24	20	15	-	-	505	218	420	46	1"¼	1"	12	
	XAJV100PCE	0,75	1	5,3	16	47	40	35	30	25	20	5	-	535	218	420	46	1"¼	1"	12,5	
	XAJV120PCE	0,90	1,2	5,9	18	51	45	40	34	30	24	8	-	535	218	420	46	1"¼	1"	13,5	

**Curves and performance  $\eta = 2900$  1/min**



**CE Versions**

With external capacitor kit



- Cavo elettrico H07RN8-F
- Electric cable H07RN8-F length 9 mt Pump / box
- Electric cable H07RN8-F length 1mt with Schuko plug
- Capacitor box with IP 55 protection class



Woltmann flow sensor



Technopolymer impeller



Technopolymer motor support