

XAMO SERIES



Horizontal multistage pump with electronic system

XAMO B



Materials

- Motor body, impellers and pump body: Stainless steel AISI 304
- Technopolymer flange
- Shaft: Stainless steel AISI 420
- Diffuser: Noryl
- Rear cap: Polypropylene
- Basis: Stainless steel AISI 304
- Dumping feet: Rubber
- Mechanical seal: Graphite / ceramic
- Oil chamber on the mechanical seal
- A2 Stainless steel bolts
- NBR70 O-ring
- H07RN8-F Electric cable 10m length with Schuko plug
- Tropicalized circuit board in compliance with the RoHS directive
- Class F insulated motors

XAMO SD



Materials

- Motor body, impellers and pump body: Stainless steel AISI 304
- Brass flange
- Shaft: Stainless steel AISI 420
- Diffuser: Noryl
- Rear cap: Stainless steel AISI 304
- Basis: Stainless steel AISI 304
- Dumping feet: Rubber
- Mechanical seal: Graphite / ceramic
- Oil chamber on the mechanical seal
- A2 Stainless steel bolts
- NBR70 O-ring
- H07RN8-F Electric cable 10m length with Schuko plug
- Tropicalized circuit board in compliance with the RoHS directive
- Class F insulated motors

Description

Up/Down technology for submersed, surface or underground installation.
Automatic system of water supply and dry-running protection.
Antiblocking system every 72 hours of pump inactivity.
Protection rating IP 68.

The single-phase and three-phase versions of the **XMO series**, do not include integrated electronic control technology

Applications

- Domestic boosting
- Medium sprinkling and surface irrigations
- Tank drainage and transfers
- Industrial washing and cooling
- Systems for water treatment

Pumped liquid:

Clean water with no abrasive or suspended solids

Liquid temperature +2°C ÷ +40°C

Air temperature max +45°C

Depth max 5 m

Calibrating pressure rate switch 2.2 bar

CE versions

With external capacitor kit for all models



- Electric cable H07RN8-F length 9 mt Pump / box
- Electric cable H07RN8-F length 1mt with Schuko plug
- Capacitor box with IP 55 protection class



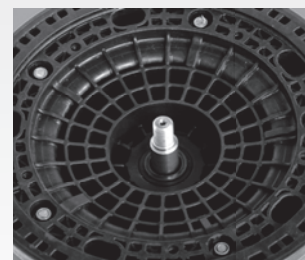
Technopolymer check valve with flow control disc and spring in AISI 316 (standard equipment in automatic version)



Stainless steel AISI 304 impeller



Technopolymer motor support for models XAMO B



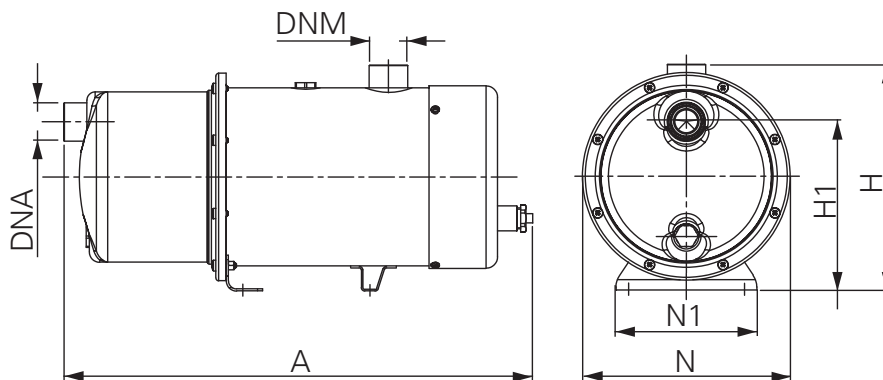
Technopolymer motor support special for models XAMO SD

XAMO SERIES



AUTO MONO	Code	P ₂ Nom.		3 ~ 50Hz Amp.		1 ~ 50Hz Amp.	Cap μF	Stages	Q (lt/m) Flow								Dimensions mm						Wgt. Kg	
		kW	Hp	230 V	400 V	230 V			Total Hm in CA								A	N	H	H1	N1	DNM		DNA
									0	30	40	50	60	70	80	90								
XAMO100B	0,75	1	-	-	6,0	18	4	42	35	30	28	24	18	15	10	477	200	226	163	136	1"¼	1"	15	
XAMO120B	0,90	1,2	-	-	7,2	20	5	52	43	40	35	30	25	20	15	477	200	226	163	136	1"¼	1"	16	
MAN MONO	XMO80B	0,60	0,8	-	-	5,15	16	3	33	28	23	20	18	13	10	7	447	200	226	163	136	1"¼	1"	14,5
XMO100B	0,75	1	-	-	6,0	18	4	42	35	30	28	24	18	15	10	477	200	226	163	136	1"¼	1"	15	
XMO120B	0,90	1,2	-	-	7,2	20	5	52	43	40	35	30	25	20	15	477	200	226	163	136	1"¼	1"	16	
MAN THR	XMO80BT	0,60	0,8	2,4	1,6	-	-	3	33	28	23	20	18	13	10	7	447	200	226	163	136	1"¼	1"	14,5
XMO100BT	0,75	1	3	2	-	-	4	42	35	30	28	24	18	15	10	477	200	226	163	136	1"¼	1"	15	
XMO120BT	0,90	1,2	3,3	2,5	-	-	5	52	43	40	35	30	25	20	15	477	200	226	163	136	1"¼	1"	16	
AUTO MONO	XAMO100BCE	0,75	1	-	-	6,0	18	4	42	35	30	28	24	18	15	10	477	200	226	163	136	1"¼	1"	15
XAMO120BCE	0,90	1,2	-	-	7,2	20	5	52	43	40	35	30	25	20	15	477	200	226	163	136	1"¼	1"	16	

AUTO MONO	Code	P ₂ Nom.		3 ~ 50Hz Amp.		1 ~ 50Hz Amp.	Cap μF	Stages	Q (lt/m) Flow								Dimensions mm						Wgt. Kg	
		kW	Hp	230 V	400 V	230 V			Total Hm in CA								A	N	H	H1	N1	DNM		DNA
									0	30	40	50	60	70	80	90								
XAMO100SD	0,75	1	-	-	6,0	18	4	42	35	30	28	24	18	15	10	477	200	226	163	136	1"¼	1"	15	
XAMO120SD	0,90	1,2	-	-	7,2	20	5	52	43	40	35	30	25	20	15	477	200	226	163	136	1"¼	1"	16	
MAN MONO	XMO80SD	0,60	0,8	-	-	5,15	16	3	33	28	23	20	18	13	10	7	447	200	226	163	136	1"¼	1"	14,5
XMO100SD	0,75	1	-	-	6,0	18	4	42	35	30	28	24	18	15	10	477	200	226	163	136	1"¼	1"	15	
XMO120SD	0,90	1,2	-	-	7,2	20	5	52	43	40	35	30	25	20	15	477	200	226	163	136	1"¼	1"	16	
MAN THR	XMO80TSD	0,60	0,8	2,4	1,6	-	-	3	33	28	23	20	18	13	10	7	447	200	226	163	136	1"¼	1"	14,5
XMO100TSD	0,75	1	3	2	-	-	4	42	35	30	28	24	18	15	10	477	200	226	163	136	1"¼	1"	15	
XMO120TSD	0,90	1,2	3,3	2,5	-	-	5	52	43	40	35	30	25	20	15	477	200	226	163	136	1"¼	1"	16	
AUTO MONO	XAMO100CESD	0,75	1	-	-	6,0	18	4	42	35	30	28	24	18	15	10	477	200	226	163	136	1"¼	1"	15
XAMO120CESD	0,90	1,2	-	-	7,2	20	5	52	43	40	35	30	25	20	15	477	200	226	163	136	1"¼	1"	16	



Curves and performance $\eta = 2900$ 1/min

