

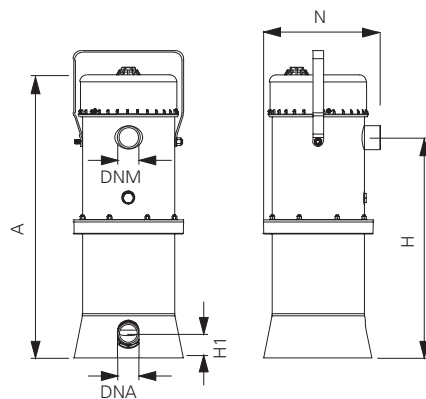
XAMOV B



Vertical multistage pump with electronic system



Technopolymer check valve with flow control disc and spring in AISI 316 (standard equipment in automatic version)



Description

Up/Down technology for submersed, surface or underground installation.
Automatic system of water supply and dry-running protection.
Antiblocking system every 72 hours of pump inactivity.
Protection rating IP 68.

Applications

- Domestic boosting
- Medium sprinkling and surface irrigations
- Tank drainage and transfers
- Industrial washing and cooling
- Systems for water treatment

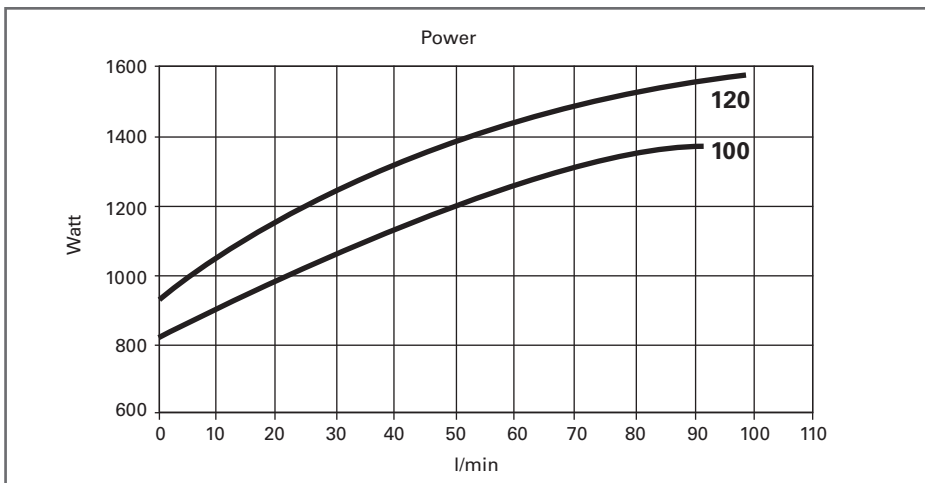
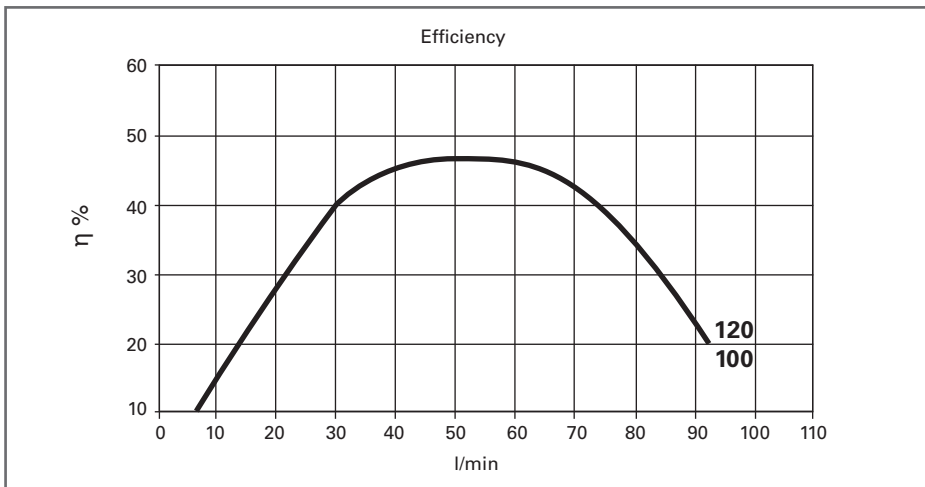
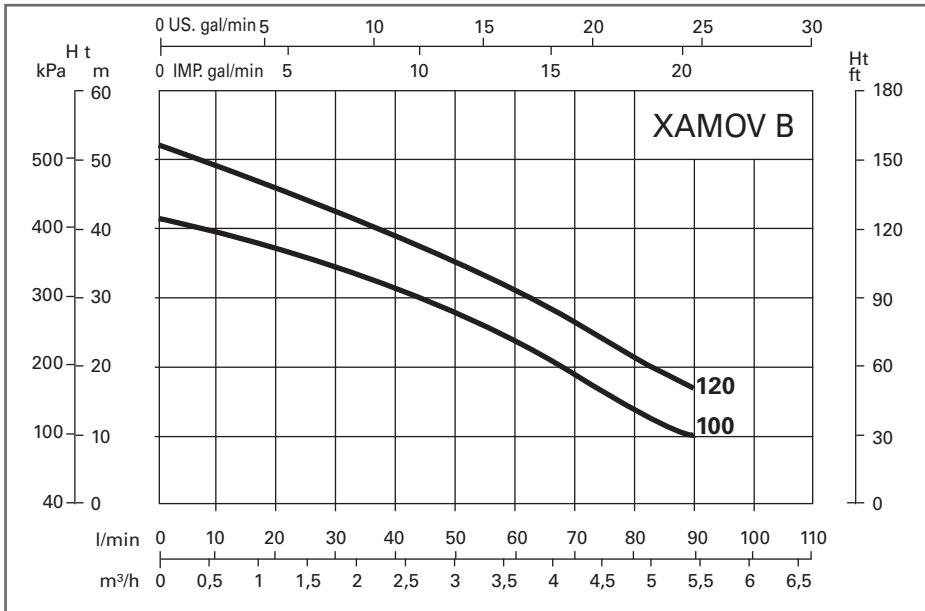
Pumped liquid:
Clean water with no abrasive or suspended solids
Liquid temperature $+2^{\circ}\text{C} \div +40^{\circ}\text{C}$
Air temperature max $+45^{\circ}\text{C}$
Depth max 5 m
Calibrating pressure rate switch 2.2 bar

Materials

- Motor body, impellers and pump body: Stainless steel AISI 304
- Technopolymer flange
- Shaft: Stainless steel AISI 420
- Diffuser: Noryl
- Rear cap: Polypropylene
- Basis: Stainless steel AISI 304
- Dumping feet: Rubber
- Mechanical seal: Graphite / ceramic
- Oil chamber on the mechanical seal
- A2 Stainless steel bolts
- NBR70 O-ring
- H07RN8-F Electric cable 10m length with Schuko plug
- Tropicalized circuit board in compliance with the RoHS directive
- Class F insulated motors

| Code | P ₂ Nom. | | 1 ~ 50Hz Amp. | Cap μF | Stages | Q (lt/m) Flow | | | | | | | | Dimensions mm | | | | | | Wgt. kg |
|----------------------------|---------------------|-----|---------------|--------|--------|---------------|----|----|----|----|----|----|----|---------------|-----|-----|----|-------|-----|---------|
| | kW | Hp | | | | 230 V | 0 | 30 | 40 | 50 | 60 | 70 | 80 | 90 | A | N | H | H1 | DNM | |
| | Total Hm in CA | | | | | | | | | | | | | | | | | | | |
| AUTO MONO XAMOV100B | 0,75 | 1 | 6,0 | 18 | 4 | 42 | 35 | 34 | 30 | 28 | 24 | 18 | 15 | 545 | 218 | 420 | 46 | 1 1/4 | 1" | 13 |
| XAMOV120B | 0,9 | 1,2 | 7,2 | 20 | 5 | 52 | 43 | 43 | 40 | 35 | 30 | 25 | 20 | 545 | 218 | 420 | 46 | 1 1/4 | 1" | 14 |
| XAMOV100BCE | 0,75 | 1 | 6,0 | 18 | 4 | 42 | 35 | 34 | 30 | 28 | 24 | 18 | 15 | 545 | 218 | 420 | 46 | 1 1/4 | 1" | 13 |
| XAMOV120BCE | 0,9 | 1,2 | 7,2 | 20 | 5 | 52 | 43 | 43 | 40 | 35 | 30 | 25 | 20 | 545 | 218 | 420 | 46 | 1 1/4 | 1" | 14 |

Curves and performance $\eta = 2900$ 1/min



CE Versions

With external capacitor kit



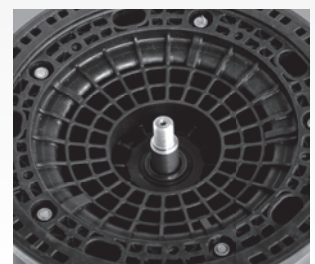
- Electric cable H07RN8-F length 9 mt Pump / box
- Electric cable H07RN8-F length 1mt with Schuko plug
- Capacitor box with IP 55 protection class



Stainless steel AISI 304 impeller



Woltmann flow sensor



Technopolymer motor support